

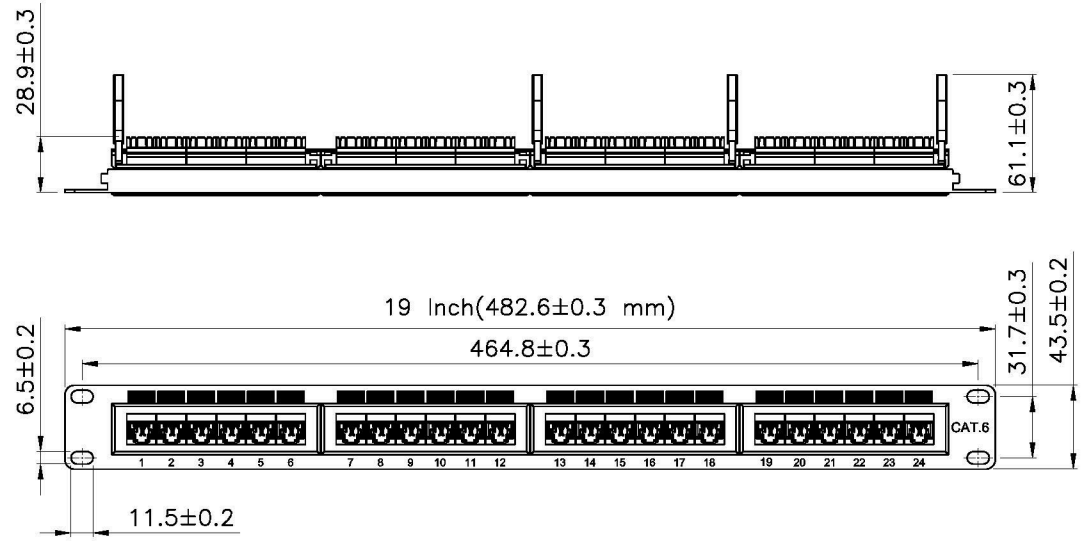
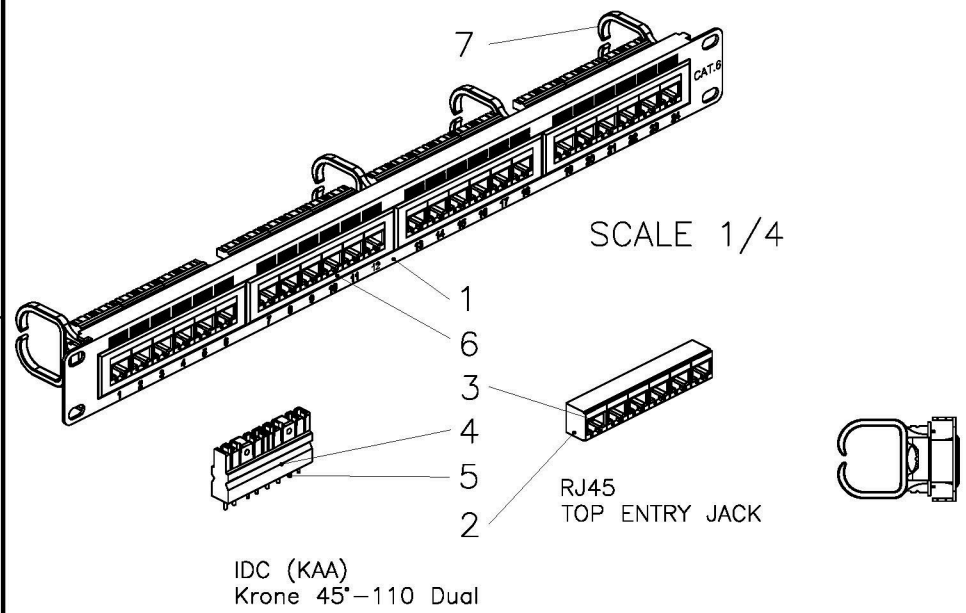
1 2 3 4 5 6

A

B

C

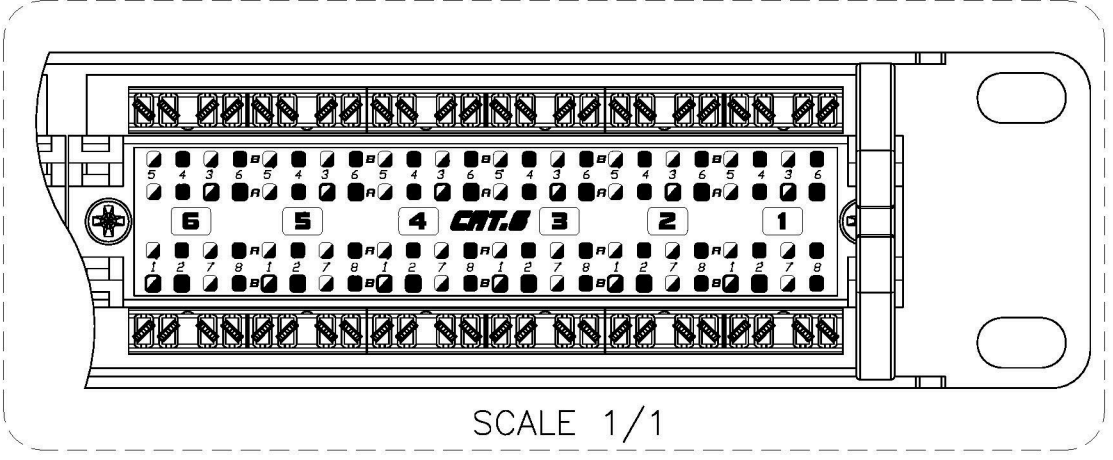
D



Specification :

- Material :
1. Panel : SPCC, 1.5 mm thickness with Black(RAL9005) color painted.
  2. RJ45 Jack Housing : ABS, UL 94V-0.
  3. RJ45 Jack Contact material & finished :  
3-1. Phosphor Bronze with 50-60 micro-inch Nickel plated.  
3-2. Contact area : Min. 3 mm 50 micro-inch Gold plated.
  4. IDC Housing : PC+5%GF, UL 94V-2.
  5. IDC Terminal material & finished :  
5-1. Phosphor Bronze with 50-60 micro-inch Tin plated.  
5-2. 110 & Krone tool compatible.  
5-3. Suitable for 22-26 AWG stranded & solid wire.
  6. Jack Bracket Set : ABS, UL 94V-0.
  7. Cable Holder : PA6, UL 94 V-2.

- Performance :
- a. The sticker color codes combine two wiring of T568A & T568B.
  - b. Insertion force : 900 gms for 8 contacts.
  - c. Retention strength : 7.7 kgs between Jack and Plug.
  - d. Operation temperature : -40°C to 80°C.
  - e. Durability :  
e-1. Jack : 750 cycles Plug-Jack mating and unmating test, Insertion cycles at 20 cycles/minute max. Contact resistance test per 100 cycles.  
e-2. IDC : Max. 200 punching times.
  - f. The Cat.6 performance is in compliance with the ANSI/TIA/EIA 568 B.2-1 standard.



GENERAL TOLERANCE OF DIMENSIONS X.XXX ±0.005 X.XX ±0.05 X.X ±0.1	DRAWING	07.FEB.2007	Michelle	<h1>ConnEX</h1>							
	CHECK	07.FEB.2007	Jaimy								
	APPROVAL	07.FEB.2007	Jaimy								
		DATE	NAME	ITEM NO.: NTL-PP824-C6							
SCALE	1/4 (A4)	UNIT	mm	DES.: Cat.6 Patch Panel 24 port							
		DRAWING NO.		<table border="1"> <tr> <td>S</td> <td>SHEET</td> <td>1 OF 1</td> <td rowspan="2" style="text-align: center;"> </td> </tr> <tr> <td colspan="3">DRAWING CLASSIFICATION</td> </tr> </table>	S	SHEET	1 OF 1		DRAWING CLASSIFICATION		
		S	SHEET		1 OF 1						
DRAWING CLASSIFICATION											

1 2 3 4 5 6