

INSTALLATION INSTRUCTIONS

UNIVERSAL PAGING MODULE NTL800 / NTL808DP

Introduction

The NTL800 universal paging module is designed to boost a paging signal, add common audible and BGM over up to 40 amplified speakers. The universal paging module will interface any KSU.PBX with decentralized self amplified speakers such as, NTL 401,403,404,405. The NTL800 automatically mutes music during paging or tone signaling.

The NTL800 has inputs for:

- Paging
- KSU Page Control
- 90 V ring detect
- Back ground music
- Dry contact for alarm
- External chime
- Dry contact for time clock
- Dry contact for CA
- 24V supplies

The NTL800 has outputs for:

- Decentralized self-amplified speakers
- Dry contact for external control
- Paging 70V power amplifier
- Jack for multi-zone module

Features.....

- PBX/ Key system Page Relay Trigger Control
- Add BGM over speaker
- Voice-activated music mute
- Voice-activated relay with SPDT
- CA over paging speakers
- Analog C.O. line ring detection
- Built in choice of 8 signaling tone
- Direct interface to multi-zone
- Alarm over paging
- Time clock over paging
- Paging port or unused truck port
- Built in splash tone
- Individual volume control for BGM, Paging & Ringing

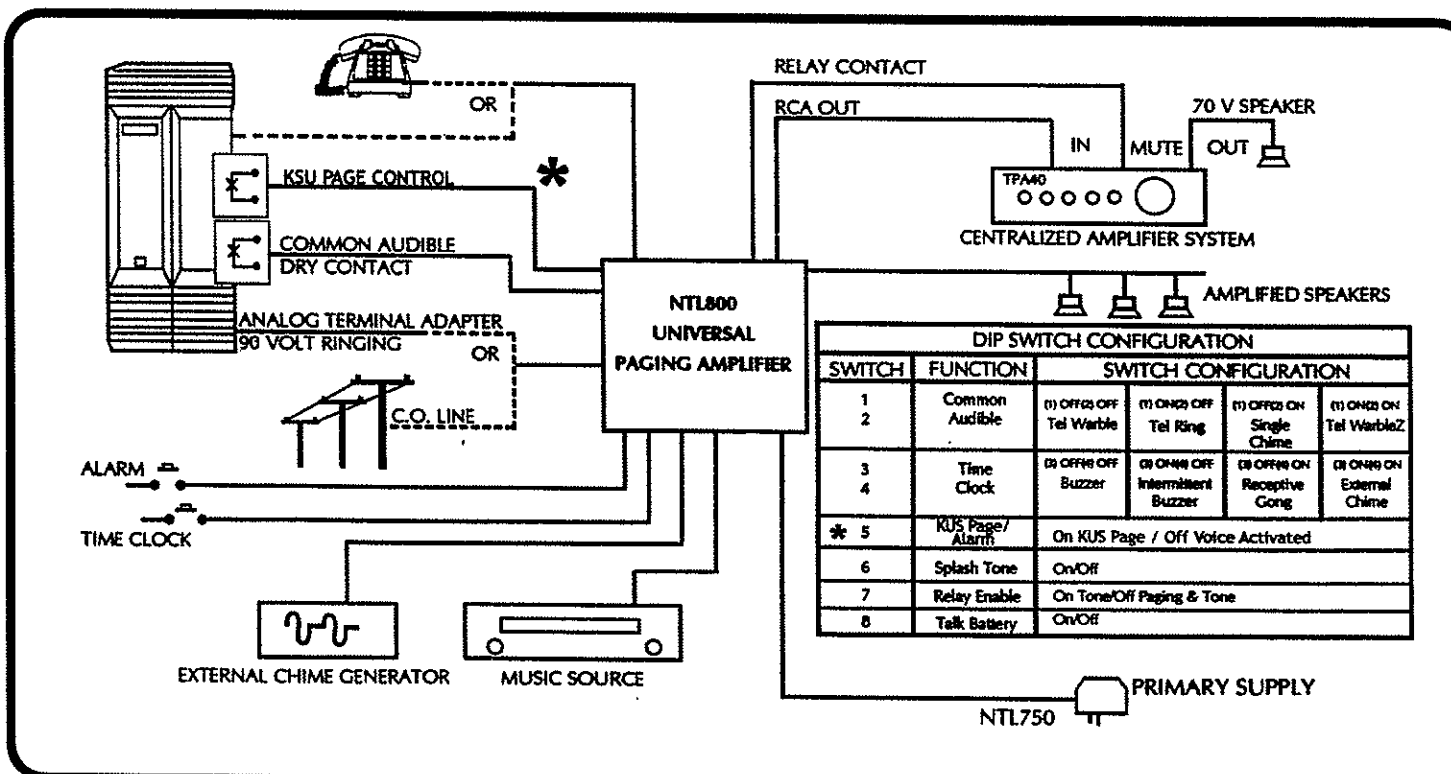
Delay Page Optional (NTL808DP)

Delay page prevent feed back
 Provided 2 channels to support new page during the play back of 1st channel

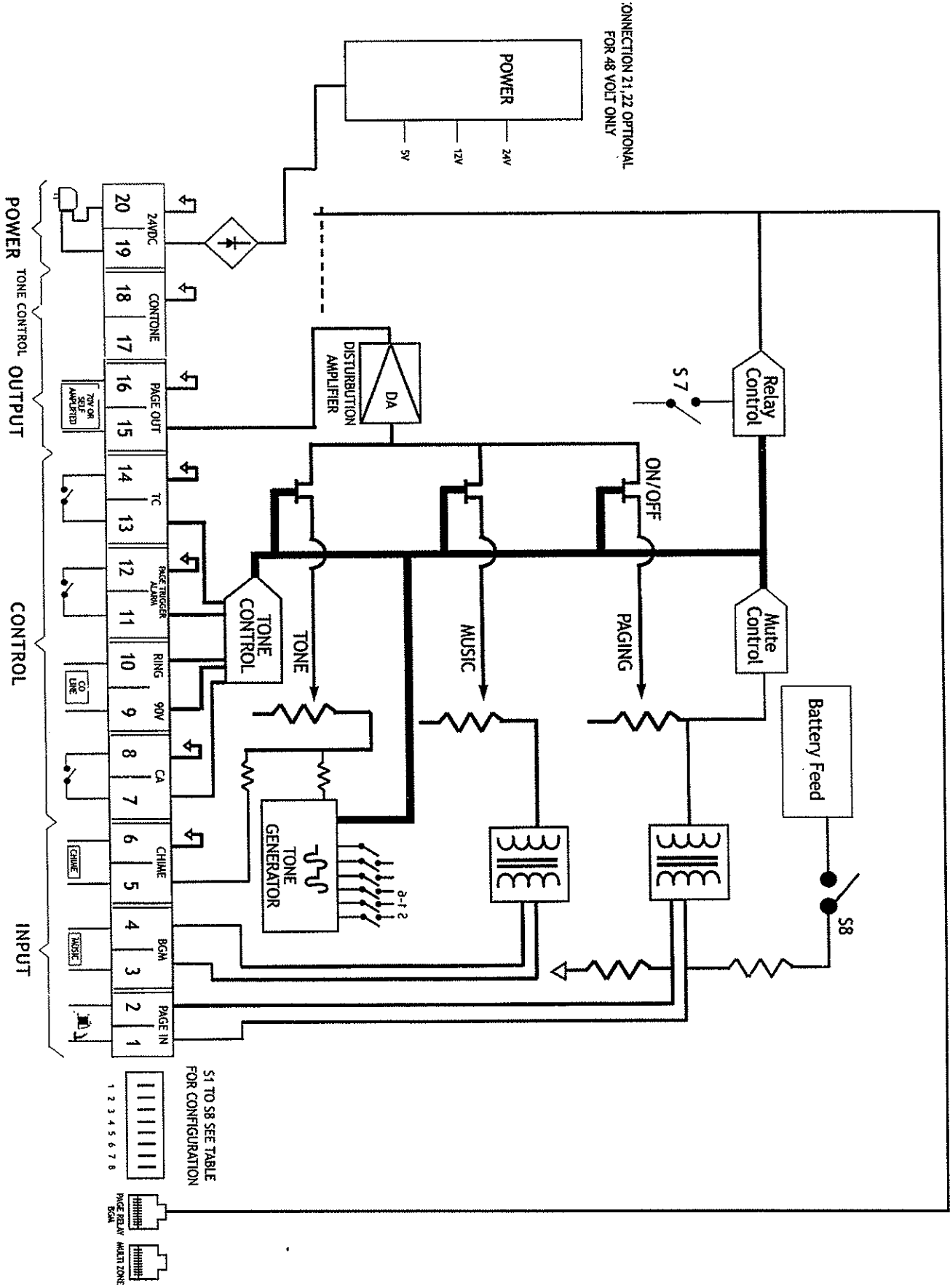


WARNING:

When using delay paging you must have switch 5 in the OFF position to have page control relay activate paging.



BLOCK DIAGRAM NTL800



CONNECTION DESCRIPTION

PAGE INPUT: connect to a single line phone or KSU/PBX spare C.O. line or KSU/PBX paging port, for signal to be broadcast over speakers. This input is internally limited to -7dB (350 mV) to eliminate unpleasant noise. Refer to DIP Switch Configuration Table for proper settings of DIP SW.#8 for talk battery. *

BGM: connect to any music source for music to broadcast over speakers. Voice-activated mute lasts about 6 seconds. No connection if BGM is not required.

CHIME IN: connect to an external chime generator for time clock to be broadcast over speakers. (if internal time clock tones are not selected.) No connections if external chime source is not required

CA: connect to KSU/PBX common audible dry contacts, for common audible to be broadcast over speakers. Priority over ALARM, TC, PA & MUSIC. No connection if CA is not required.

90V RING: connect to an analog telephone line T&R., for ringing to be broadcast over speakers. Refer to DIP Switch Configuration Table for proper settings of dip switches #1-2 CA/90V tones. No connection if 90V ring is not required.

WarmWa

PAGE TRIGGER/ALARM: For KSU Page Relay activation, set DIP switch #5 to OFF position and connect the KSU relay to this port. For KSU Page Voice activation, set DIP switch #5 to ON position. With this switch set to ON position, the alarm option is also activated. This port will now allow an alarm input dry contact to activate alarm tone over the paging unit.

TC: connect to a time clock dry contact source, for tone to forecast over speakers. Refer to DIP Switch Configuration Table for proper settings of dip switches #3-4. No connection if time clock is not required.

PAGE OUT: connect to the input of up to 40 amplified speakers to boost signal for proper listening volume.

CONTONE: These two pairs control the tone coming out from multi-zone paging NTL808

24V IN: Connect to a 24V DC power source, such as the NTL750 (POLARITY SENSITIVE). Refer to DIP Switch Configuration Table for proper setting of dip switch #8 Talk Battery. *

MULTI-ZONE: connection for the Multi-Zone Paging Module NTL808 when required.

PAGE-RELAY: RJ45 connection to access I/O pins for BGM (pins 2 and 7). Relay contacts (pins 1, 3 and 6 / 8 respectively for NO, NC and common). Paging output (pins 4 and 5).

DIP SWITCH CONFIGURATION TABLE

WARNING: switch #8 talk battery should always be off when using paging port from a KSU or permanent damage may occur to the KSU paging port.

Factory Default

800 Standard Paging (Voice Activated)
808DP Delayed Paging (Relay Activated)
Analog Phone Paging

SWITCH	FUNCTION				SW. SETTING	DESCRIPTION
1-2	COMMON AUDIBLE 90 V RING TONE	ON	ON	ON	1 OFF, 2 OFF	TELEPHONE RING
		ON	ON	ON	1 ON, 2 OFF	CHIME
		ON	ON	ON	1 OFF, 2 ON	WARBLE TONE HIGH
		ON	ON	ON	1 ON, 2 ON	WARBLE TONE LOW
3-4	TIME CLOCK TONE	ON	ON	ON	3 OFF, 4 OFF	EXTERNAL CHIME SOURCE
		ON	ON	ON	3 ON, 4 OFF	CHIME
		ON	ON	ON	3 OFF, 4 ON	BUZZER
		ON	ON	ON	3 ON, 4 ON	INTERMITTENT BUZZER
* 5	KSU PAGE CONTROL ALARM TONE	ON	OFF	ON	OFF ON	PAGE ACTIVATION BY KSU RELAY TELEPHONE RING / VOICE ACTIVATED PAGE
6	SPLASH TONE	OFF	OFF	ON	OFF ON	NO SPLASH TONE (WHEN USING SPLASH TONE (ANALOG PHONE PAGING)
7	RELAY OPERATION	ON	ON	ON	OFF ON	RELAY WILL OPERATE WITH TONE ONLY RELAY WILL OPERATE WITH PAGING AND TONE
8	TALK BATTERY	OFF	OFF	ON	OFF ON	WHEN USING PAGING PORT WHEN USING SINGLE LINE PHONE OR KUS/PBX SPARE CO LINE

TECHNICAL SPECIFICATION

INPUT SENSITIVITY: PA: -12 dB to -7 dB (200 mV to 350 mV)

Built in signal limitation to -7 dB

MUSIC: -14 dB to +6 dB (180 mV to 2.5V)

EXT CHIME: 0 dB (720 mV)

INPUT IMPEDANCE: PA: - <6000 OHMS

MUSIC: < 1200 OHMS

EXT CHIME: < 10k OHMS

OUTPUT LEVEL: 0 dB (770 mV)

OUTPUT LOAD: up to 40 NORELCO amplified speakers of any type

OUTPUT IMPEDANCE: From 30 OHMS to 10 K OHMS

BANDWIDTH: 50Hz to 20KHz + 1dB

THD: 0.2% from 100Hz to 20KHz

SNR: > 50 dB

RELAY CONTACT: 24 V DC/33V AC @ 1.A or 30 Watts max.

SUPPLY CURRENT: 24 V DC @160 mA.

TEMPERATURE: -10°C to 50°