

Specifications

- Tweeter: 1" Silk Dome
- Woofer: 6.5" Kevlar Cone Rubber Surround
- Impedance: 8Ω
- Sensitivity: 87±3dB
- Power Handling RMS: 40W
- Frequency Range: 100Hz~20KHz
- Includes: Wall Mount
- Transformer: 70V Taps 5W-10W-20W-40W
- IP45: Weatherproof Certified
- Black ABS Housing

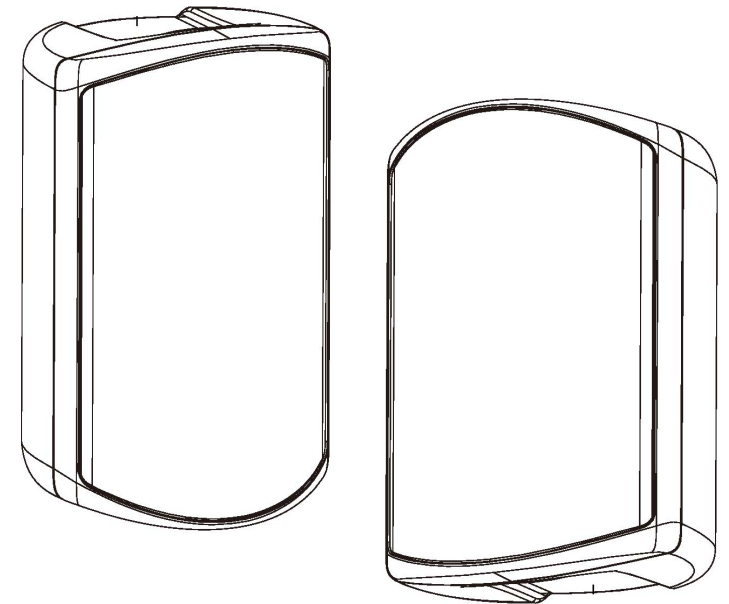
1-Year Limited Warranty

Rave Technology products are warranted to be free from defects in workmanship and materials for a period of One (1) years from the date of purchase without charge for parts or labor. This warranty does not apply to units that have been subject to misuse, abuse, neglect or improper installation, and does not apply to repairs or alterations made by unauthorized professional. This warranty specifically excludes responsibility for consequential damage. Retention of your original bill of sale is required to obtain service under the terms of this warranty. © 2020 Rave Technology. All rights reserved. All trademarks are the property of their respective owners. Specifications are subject to change without notice.

Rave Technology
4100 East Baldwin Road Holly,
Michigan, 48442 USA
Tel: 866-303-2629
contact@ravetechnology.com



RK10-650PBT **Patio Speakers**





Warnings and Safety



Please read the instructions carefully before installation and use. Keep the manual safe for future reference.

- Prior to installing the speakers into any ceiling or wall, check the structure for weight bearing ability and avoid contact with any wiring or plumbing that might be behind the surface area.
- Installing on soft materials or in areas incapable of supporting the speakers weight may cause personal injury or damage to the speaker.
- When installing speakers outside, choose areas such as the underside of eaves to avoid strong direct weather and sunlight which may affect the color and life of the speaker enclosure.
- When placing the speakers on a wall or shelf, it is recommended that speakers be installed at the level of the ear or higher.
- Damage to the woofer and tweeter may occur if the speaker is dropped or hit - resulting in no sound or distorted sound.
- Use only approved and certified wiring in your installation, do not stretch or place the wire in contact with sharp objects.
- Never overdrive your speakers to the point of distortion and always reduce volume prior to switching input sources.
- Turn off the power to the speaker when unused for long periods of time.
- Direct sun and/or bad weather exposure can damage your speakers. We recommend you to place your speakers in a sheltered location (under an overhang) and to remove them in the winter.
- Rave RK Series speakers require a run-in period before they deliver their best performance. They must get adapted to the temperature and humidity conditions of their environment. This breaking-in period depends on the encountered conditions and can last several weeks. However, you can shorten this period by letting your loudspeakers operate for about twenty hours at moderate volume.

Rave speakers are designed for standard wall, ceiling or drop ceiling applications. Please refer to the installation guidelines below for the best speaker placement for your audio application.

Stereo Placement

In a standard two channel (stereo) audio, the speakers should be installed approximately 6 to 10 feet apart. If possible, the left and right speakers should be located the same distance from the listening position. The pivoting adjustable tweeters that are useful to focus the audio in the direction of the intended listening location.

Surround (5.1) Placement

These speakers should be installed approximately 6 to 10 feet apart. When using the speakers as rear channels, the speakers should be located from 2 to 6 feet behind the main listening position and 6 to 10 feet apart.

Distributed Audio Placement

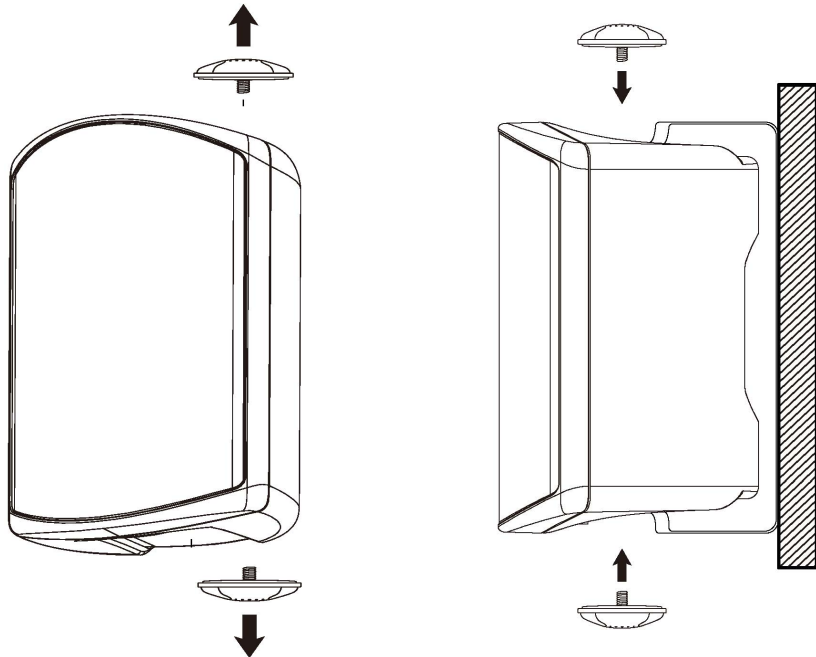
Rave Technology speakers possess extremely smooth and predictable off-axis frequency response. The chart below shows how far apart the speakers can be placed in a distributed audio system. The calculations are based on +/- 45 degrees of coverage from the speaker, and listener ear heights of 62" for standing and 40" for seated listener.

Speakers spacing	Standing Listener	Seated Listener
8 foot ceiling	5.7'	9.5'
10 foot ceiling	9.7'	13.5'
12 foot ceiling	13.7'	17.5'
14 foot ceiling	17.7'	21.5'



Choose mounting hardware according to the type of mounting surface, ensure you use the proper hardware that will support the weight of the speaker.

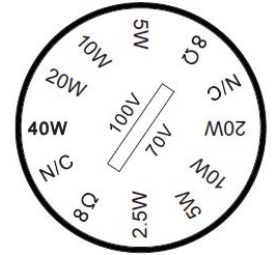
1. Remove the mounting bracket from the speaker by loosening the end caps. You can use the mounting bracket as a template to mark the holes on the mounting surface.
2. Attach the mounting bracket securely to the mounting surface.
3. Install the speaker in the mounting bracket using the end caps.
4. Remove the rear cover and connect the speaker cable to the + and - terminals and replace rear cover.



Transformer

When using the speakers are used for stereo operation please ensure that the 8Ω setting is selected.

When the speakers are used for 70V operation please choose one of the tap settings 5W-10W-20W-40W



Wiring

Connect the corresponding speaker to the amplifier terminals. If wiring for stereo operation please ensure that the + and - polarity are correct for each speaker. If wiring for 70V operation you can connect speakers together in a daisy chain configuration.

